

ROOM RENOVATIONS

ALL SAINTS CATHOLIC SECONDARY SCHOOL

3001 COUNTRY LANE
WHITBY

Project No. 26103

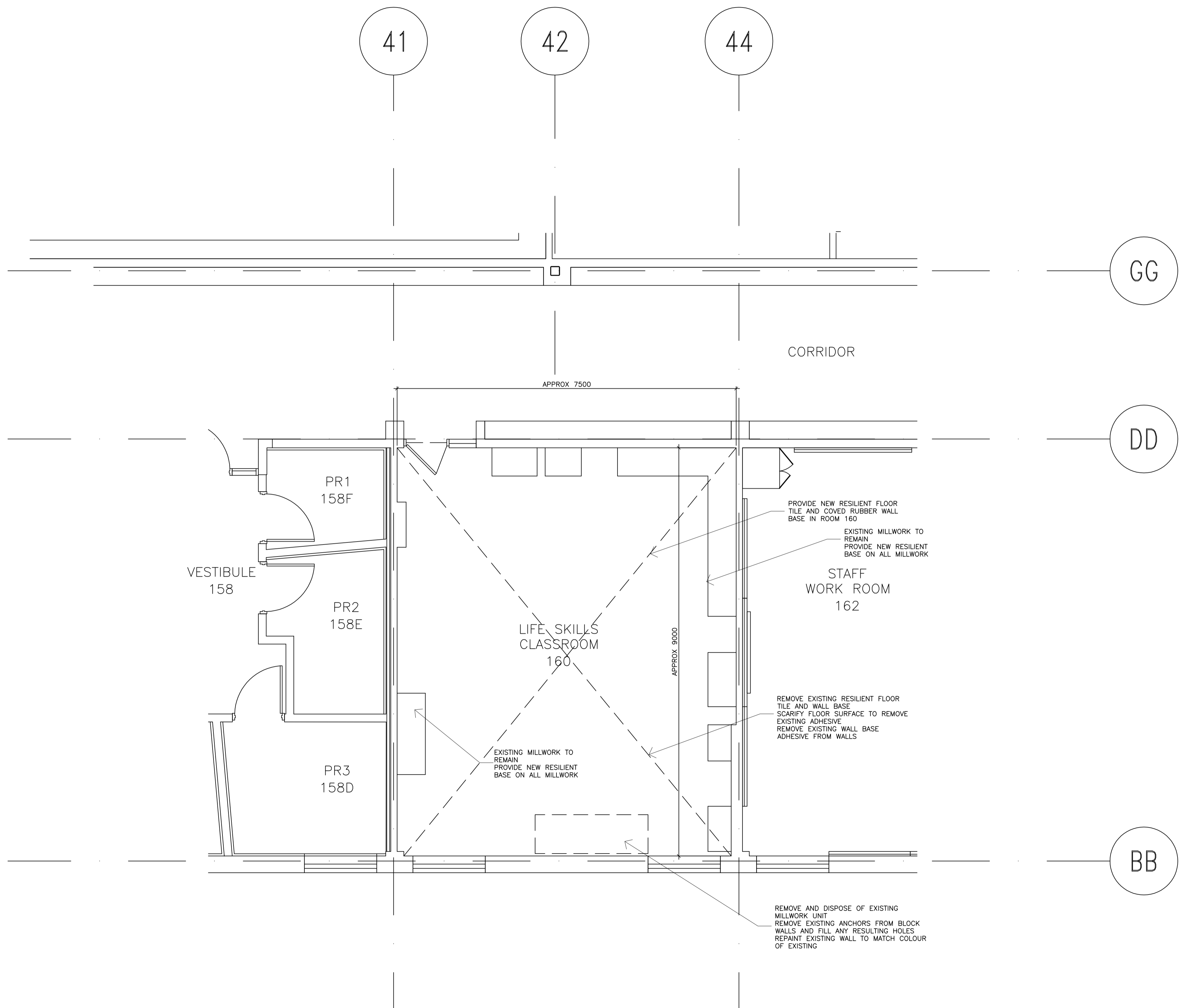
Tender No. T 26-11



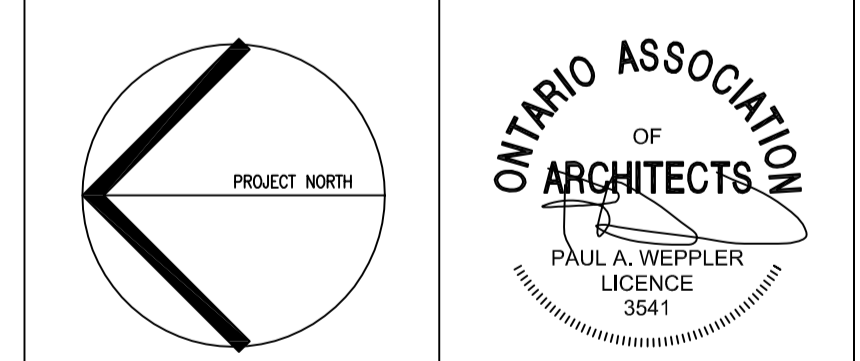
**DURHAM CATHOLIC
DISTRICT SCHOOL BOARD**
Learning and Living in Faith



SACCOCCIO WEPPLER
ARCHITECTS INC



No.	DATE	DESCRIPTION
5	JUNE 2026	ISSUED FOR TENDER



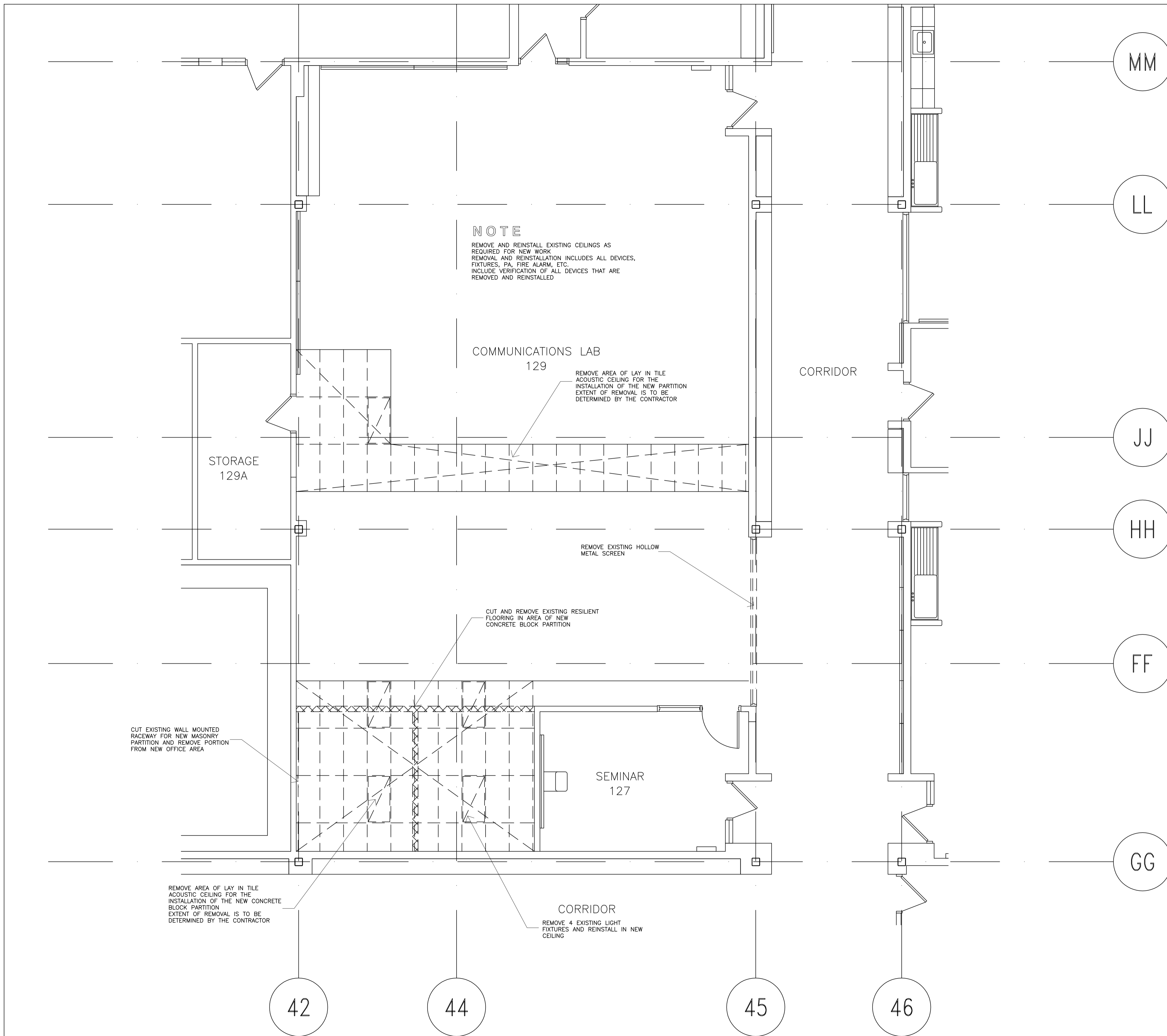
SWA SACCOCIO WEPPLER ARCHITECTS INC
 6534 KINGSTON ROAD TORONTO ON M1C 1L4
 (416) 282-1197 FAX (416) 282-7697

CONTRACTOR MUST VERIFY ALL DIMENSIONS AND BE RESPONSIBLE FOR SAME, REPORTING ANY DISCREPANCIES TO THE ARCHITECT BEFORE COMMENCING THE WORK. THIS DRAWING IS THE PROPERTY OF THE ARCHITECT AND MUST BE RETURNED TO THEM ON COMPLETION OF THE WORK. PRINTS ARE NOT TO BE SCALED.

ALL SAINTS CATHOLIC HIGH SCHOOL
 3001 COUNTRY LANE
 WHITEBY
T26-11 ROOM RENOVATIONS

PLAN - ROOM 160

DATE	DRAWN	SCALE	JOB No.	DRAWING No.
APR 2026	PAW	1 : 50	26103	A 201



NOTE
 REMOVE AND REINSTALL EXISTING CEILINGS AS REQUIRED FOR NEW WORK
 REMOVAL AND REINSTALLATION INCLUDES ALL DEVICES, FIXTURES, PA, FIRE ALARM, ETC.
 INCLUDE VERIFICATION OF ALL DEVICES THAT ARE REMOVED AND REINSTALLED

COMMUNICATIONS LAB 129
 REMOVE AREA OF LAY IN TILE ACOUSTIC CEILING FOR THE INSTALLATION OF THE NEW PARTITION
 EXTENT OF REMOVAL IS TO BE DETERMINED BY THE CONTRACTOR

STORAGE 129A

REMOVE EXISTING HOLLOW METAL SCREEN

CUT AND REMOVE EXISTING RESILIENT FLOORING IN AREA OF NEW CONCRETE BLOCK PARTITION

CUT EXISTING WALL MOUNTED RACEWAY FOR NEW MASONRY PARTITION AND REMOVE PORTION FROM NEW OFFICE AREA

SEMINAR 127

REMOVE AREA OF LAY IN TILE ACOUSTIC CEILING FOR THE INSTALLATION OF THE NEW CONCRETE BLOCK PARTITION
 EXTENT OF REMOVAL IS TO BE DETERMINED BY THE CONTRACTOR

CORRIDOR
 REMOVE 4 EXISTING LIGHT FIXTURES AND REINSTALL IN NEW CEILING

No.	DATE	DESCRIPTION
	5 JUNE 2026	ISSUED FOR TENDER

DURHAM CATHOLIC DISTRICT SCHOOL BOARD
Learning and Living in Faith

ONTARIO ASSOCIATION OF ARCHITECTS
 PAUL A. WEPPLER
 LICENCE 3541

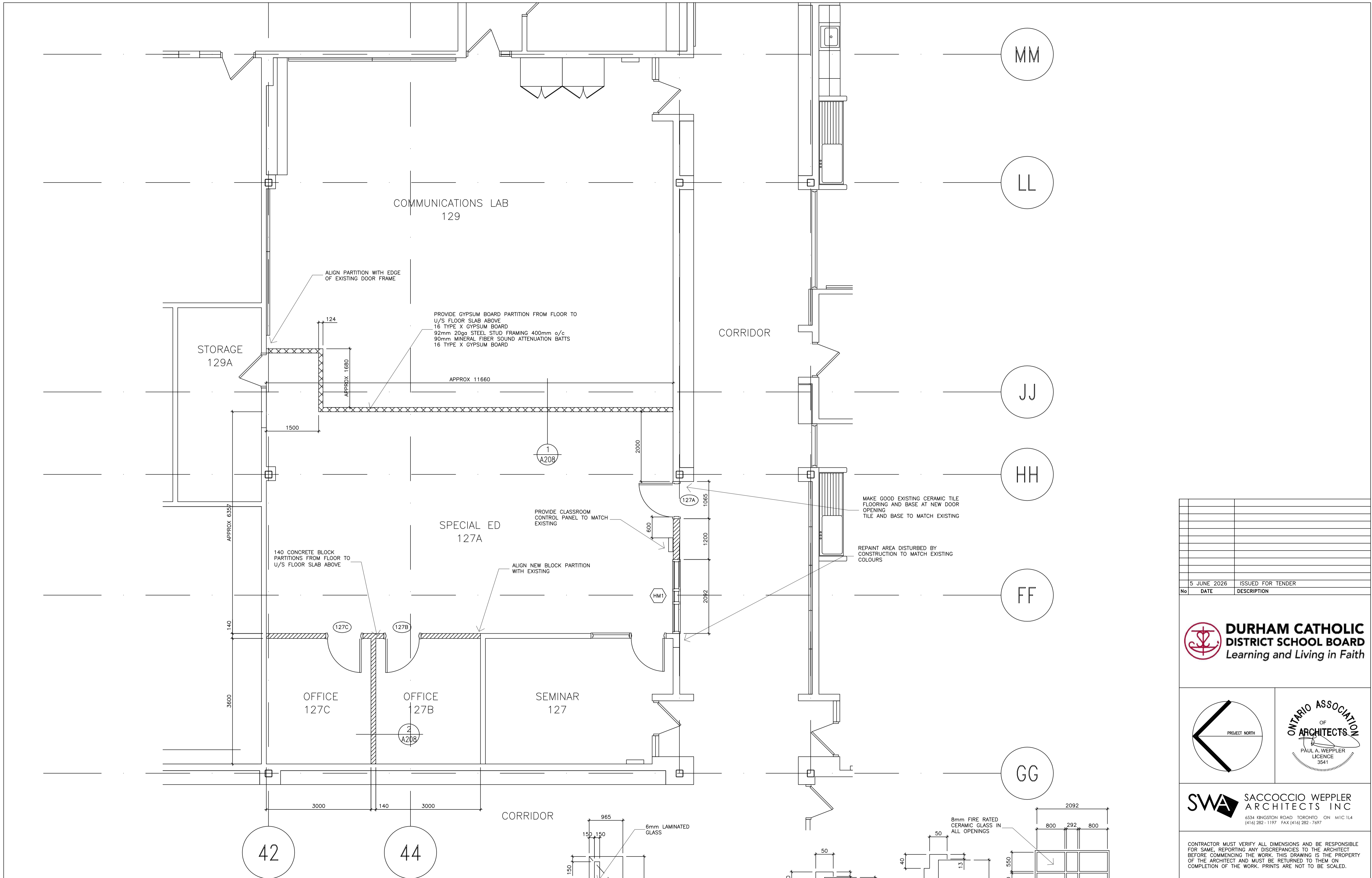
SWA SACCOCCIO WEPPLER ARCHITECTS INC.
 6534 KINGSTON ROAD TORONTO ON M1C 1J4
 (416) 282-1197 FAX (416) 282-7697

CONTRACTOR MUST VERIFY ALL DIMENSIONS AND BE RESPONSIBLE FOR SAME, REPORTING ANY DISCREPANCIES TO THE ARCHITECT BEFORE COMMENCING THE WORK. THIS DRAWING IS THE PROPERTY OF THE ARCHITECT AND MUST BE RETURNED TO THEM ON COMPLETION OF THE WORK. PRINTS ARE NOT TO BE SCALED.

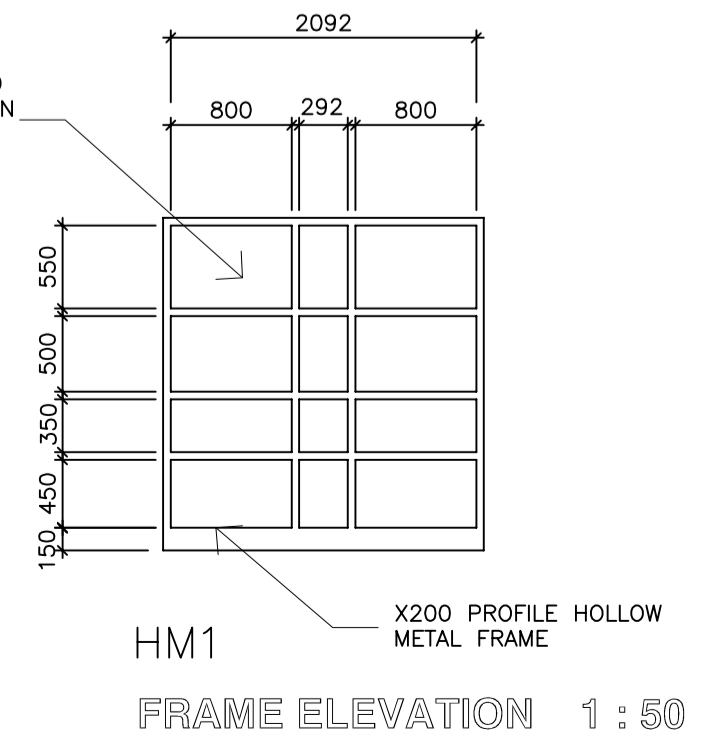
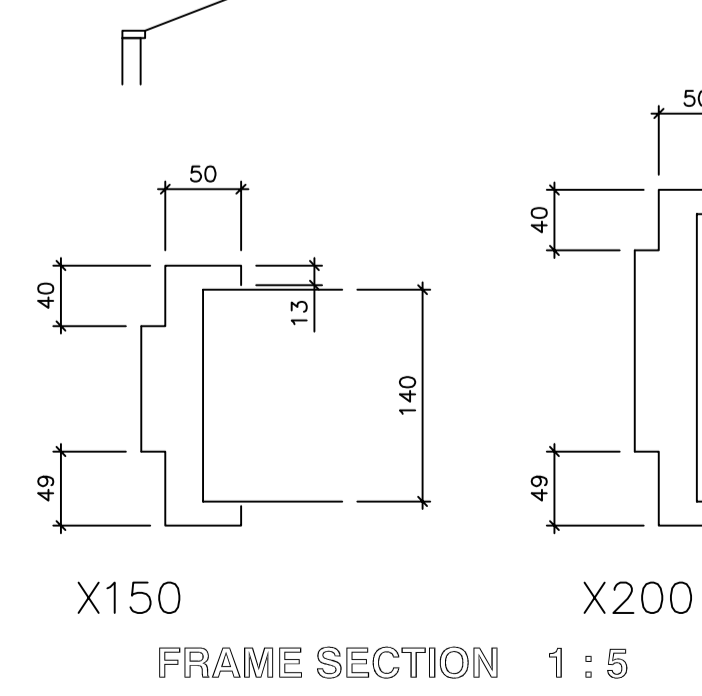
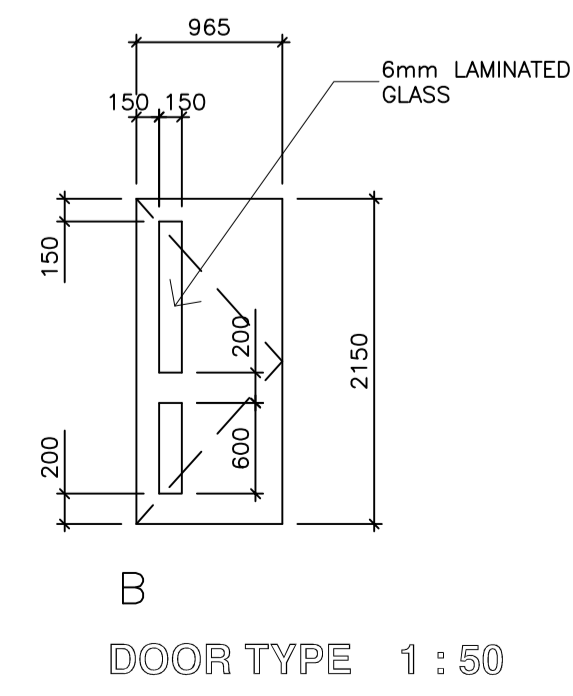
ALL SAINTS CATHOLIC HIGH SCHOOL
 3001 COUNTRY LANE
 WHITEBY
T26-11 ROOM RENOVATIONS

PLAN - ROOM 129 - DEMOLITION

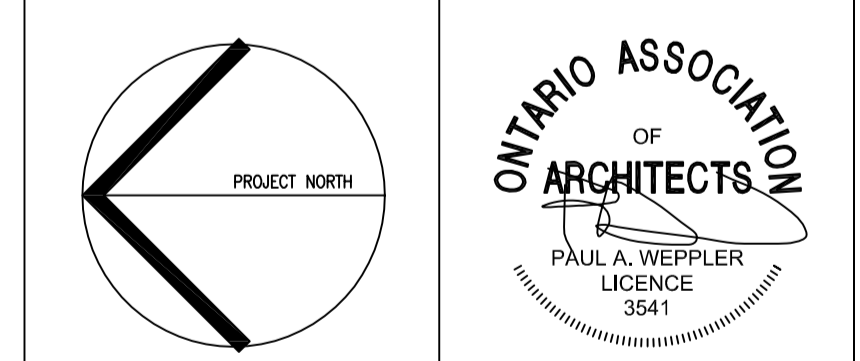
DATE	DRAWN	SCALE	JOB No.	DRAWING No.
APR 2026	PAW	1 : 50	26103	A 202



No	DOOR SIZE	DOOR			FRAME			FIRE RATING	REMARKS
		TYPE	MATERIAL	FINISH	TYPE	MATERIAL	FINISH		
127A	965 x 2150 x 45	B	HOLLOW METAL	PAINT	X200	HOLLOW METAL	PAINT	45 MIN	8mm FIRE RATED CERAMIC GLASS IN DOOR LITES
127B	965 x 2150 x 45	B	HOLLOW METAL	PAINT	X150	HOLLOW METAL	PAINT		6mm CLEAR LAMINATED GLASS IN DOOR LITES
127C	965 x 2150 x 45	B	HOLLOW METAL	PAINT	X150	HOLLOW METAL	PAINT		6mm CLEAR LAMINATED GLASS IN DOOR LITES



No	DATE	DESCRIPTION
	5 JUNE 2026	ISSUED FOR TENDER

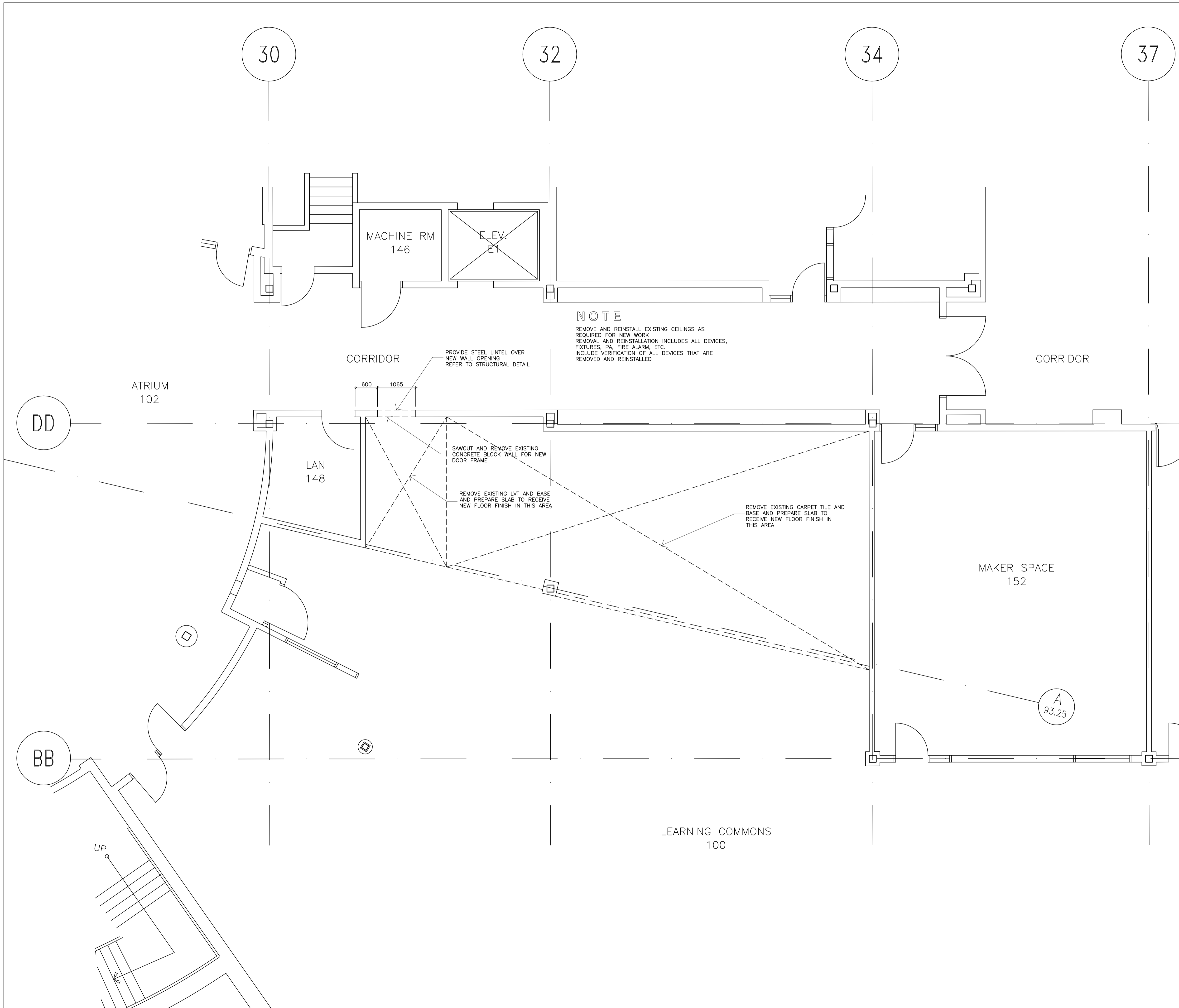


CONTRACTOR MUST VERIFY ALL DIMENSIONS AND BE RESPONSIBLE FOR SAME. REPORTING ANY DISCREPANCIES TO THE ARCHITECT BEFORE COMMENCING THE WORK. THIS DRAWING IS THE PROPERTY OF THE ARCHITECT AND MUST BE RETURNED TO THEM ON COMPLETION OF THE WORK. PRINTS ARE NOT TO BE SCALED.

ALL SAINTS CATHOLIC HIGH SCHOOL
3001 COUNTRY LANE
WHITEBY
T26-11 ROOM RENOVATIONS

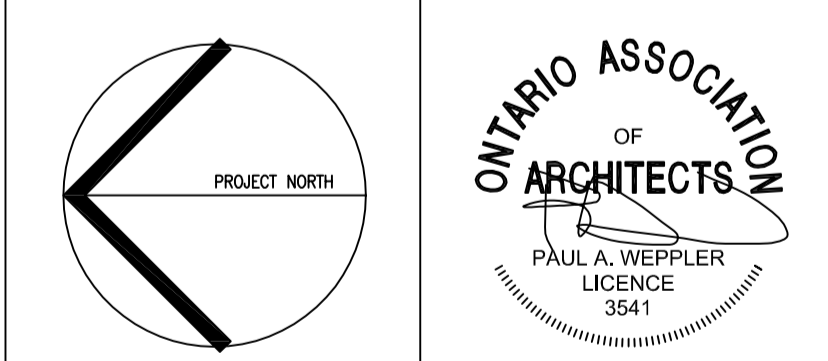
PLAN - ROOM 129 - NEW WORK

DATE	DRAWN	SCALE	JOB No.	DRAWING No.
APR 2026	PAW	1 : 50	26103	A 203



NOTE
 REMOVE AND REINSTALL EXISTING CEILINGS AS REQUIRED FOR NEW WORK
 REMOVAL AND REINSTALLATION INCLUDES ALL DEVICES, FIXTURES, PA, FIRE ALARM, ETC.
 INCLUDE VERIFICATION OF ALL DEVICES THAT ARE REMOVED AND REINSTALLED

No.	DATE	DESCRIPTION
5	JUNE 2026	ISSUED FOR TENDER



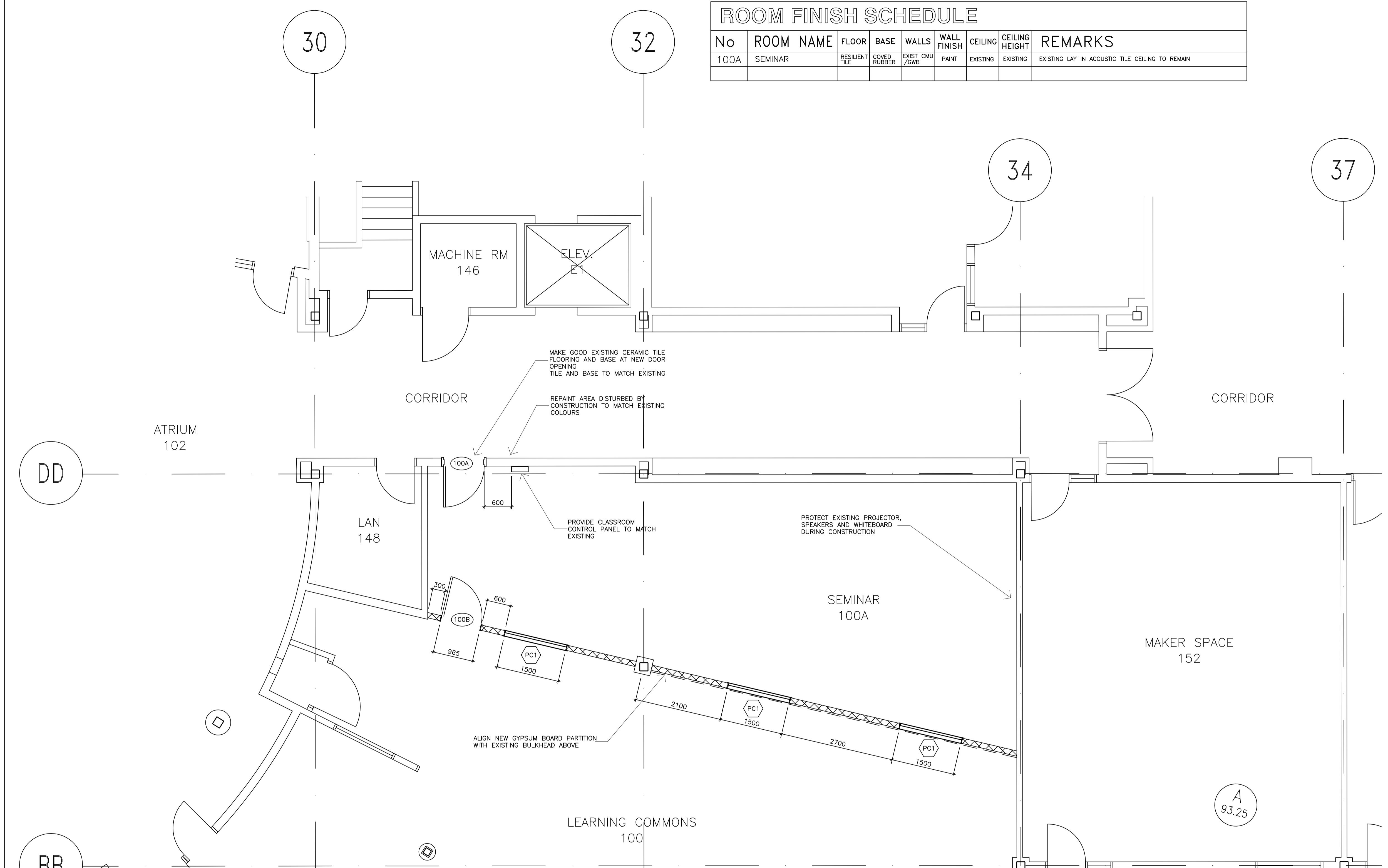
CONTRACTOR MUST VERIFY ALL DIMENSIONS AND BE RESPONSIBLE FOR SAME, REPORTING ANY DISCREPANCIES TO THE ARCHITECT BEFORE COMMENCING THE WORK. THIS DRAWING IS THE PROPERTY OF THE ARCHITECT AND MUST BE RETURNED TO THEM ON COMPLETION OF THE WORK. PRINTS ARE NOT TO BE SCALED.

ALL SAINTS CATHOLIC HIGH SCHOOL
 3001 COUNTRY LANE
 WHITEBY
T26-11 ROOM RENOVATIONS

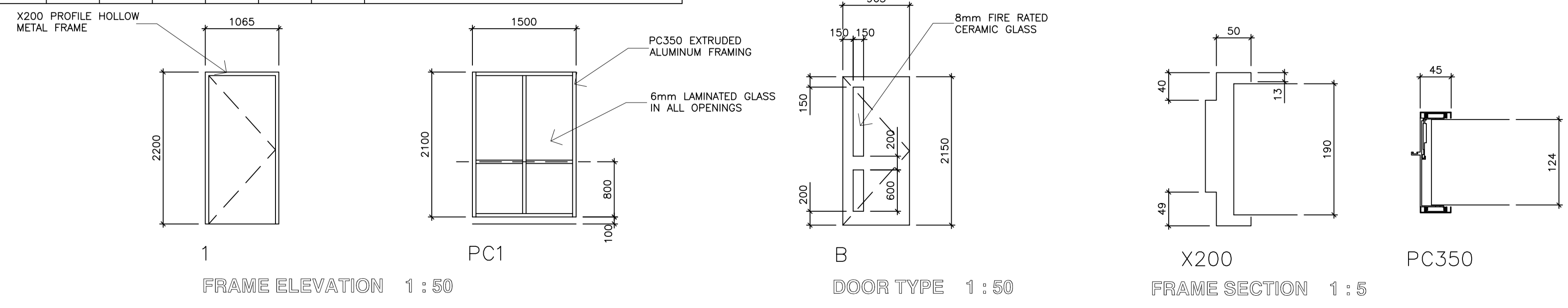
PLAN - LEARNING COMMONS
 DEMOLITION

DATE	DRAWN	SCALE	JOB No.	DRAWING No.
APR 2026	PAW	1 : 50	26103	A 204

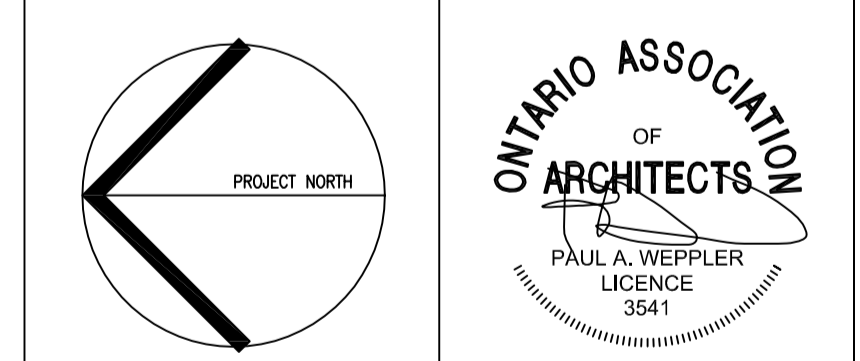
ROOM FINISH SCHEDULE								
No	ROOM NAME	FLOOR	BASE	WALLS	WALL FINISH	CEILING	CEILING HEIGHT	REMARKS
100A	SEMINAR	RESILIENT TILE	COVED RUBBER	EXIST CMU / GWB	PAINT	EXISTING	EXISTING	EXISTING LAY IN ACOUSTIC TILE CEILING TO REMAIN



DOOR SCHEDULE							
No	DOOR SIZE	DOOR		FRAME		FIRE RATING	REMARKS
		TYPE	MATERIAL FINISH	TYPE	MATERIAL FINISH		
100A	965 x 2150 x 45	B	HOLLOW METAL PAINT	X200 HOLLOW METAL	HOLLOW METAL PAINT	45 MIN	FRAME ELEVATION 1
100B	965 x 2150 x 45	B	WOOD CLEAR	PC350 ALUMINUM	CLEAR ANODIZED		



No	DATE	DESCRIPTION
	5 JUNE 2026	ISSUED FOR TENDER

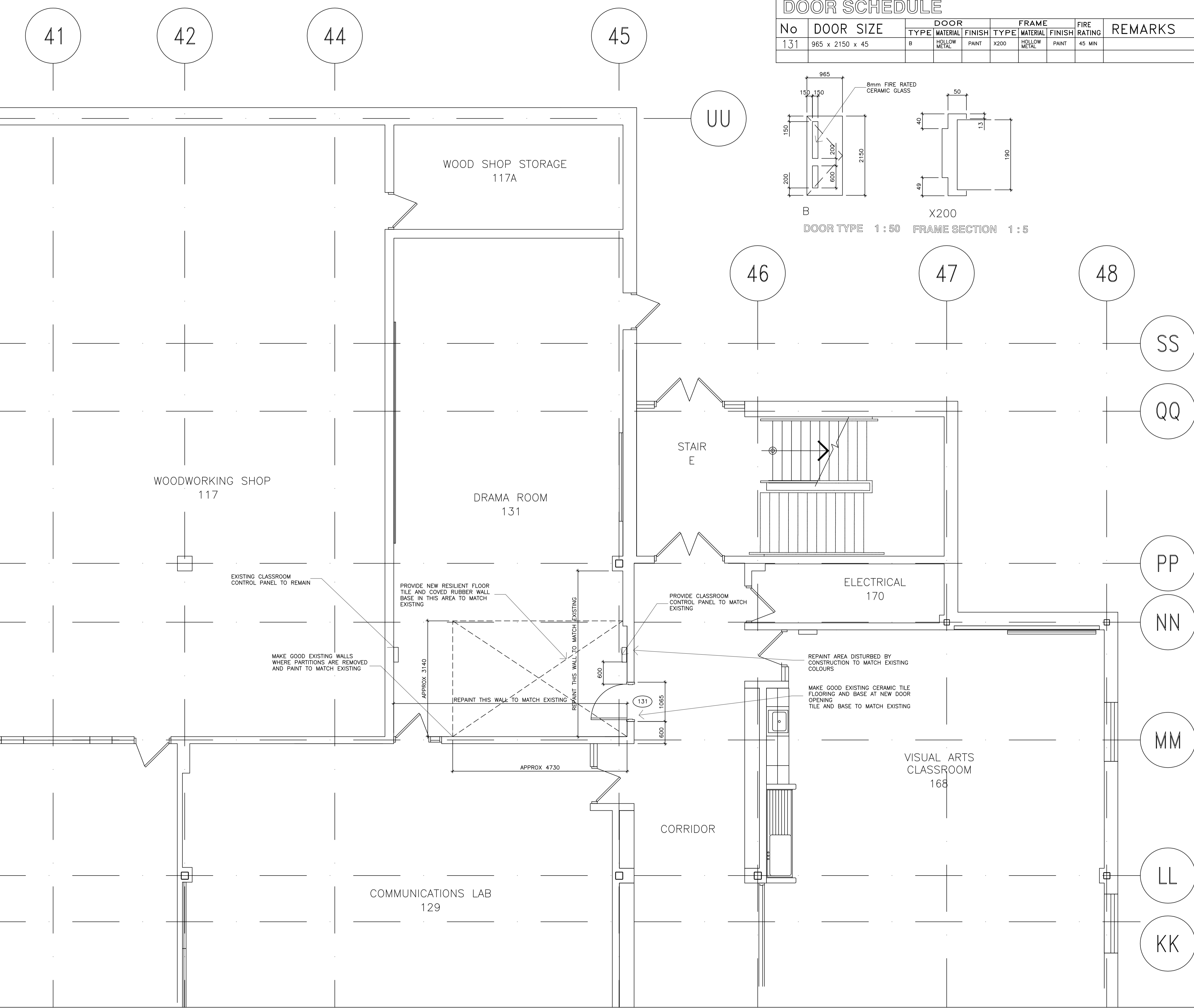


CONTRACTOR MUST VERIFY ALL DIMENSIONS AND BE RESPONSIBLE FOR SAME, REPORTING ANY DISCREPANCIES TO THE ARCHITECT BEFORE COMMENCING THE WORK. THIS DRAWING IS THE PROPERTY OF THE ARCHITECT AND MUST BE RETURNED TO THEM ON COMPLETION OF THE WORK. PRINTS ARE NOT TO BE SCALED.

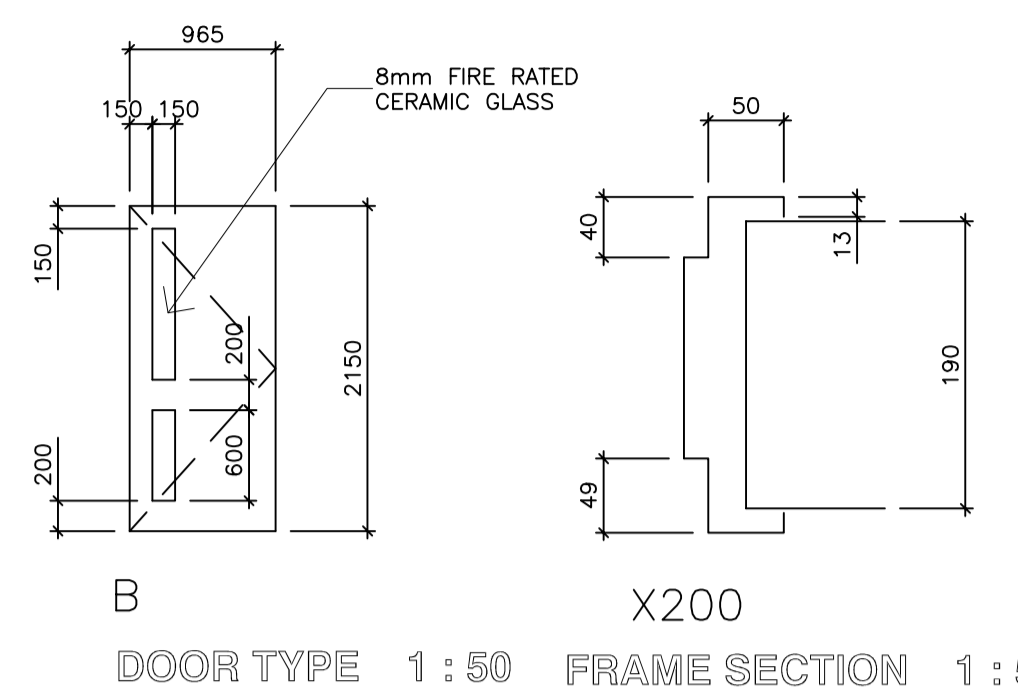
ALL SAINTS CATHOLIC HIGH SCHOOL
3001 COUNTRY LANE
WHITEBY
T26-11 ROOM RENOVATIONS

PLAN - LEARNING COMMONS
NEW WORK

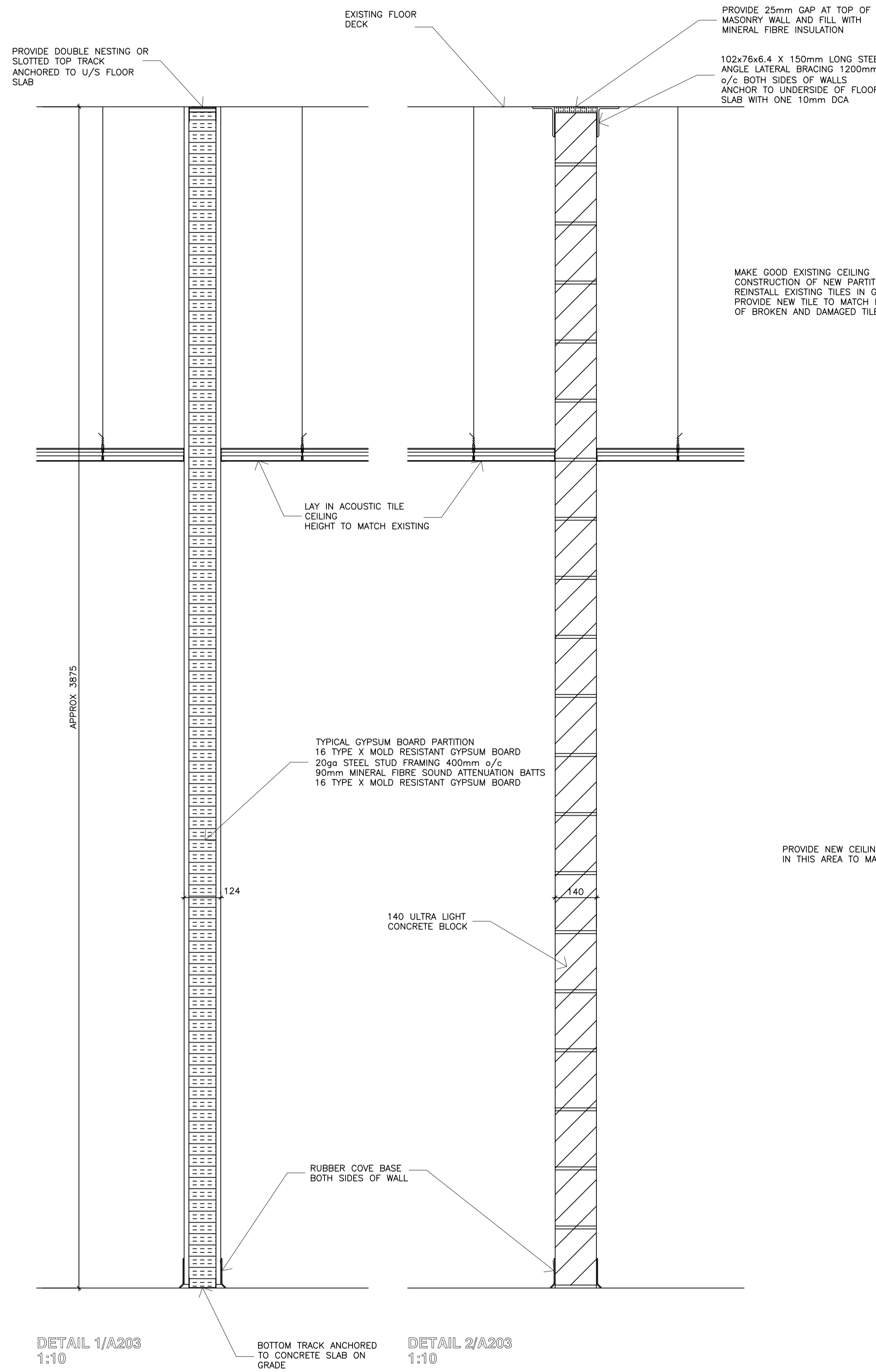
DATE	DRAWN	SCALE	JOB No.	DRAWING No.
APR 2026	PAW	1 : 50	26103	A 205



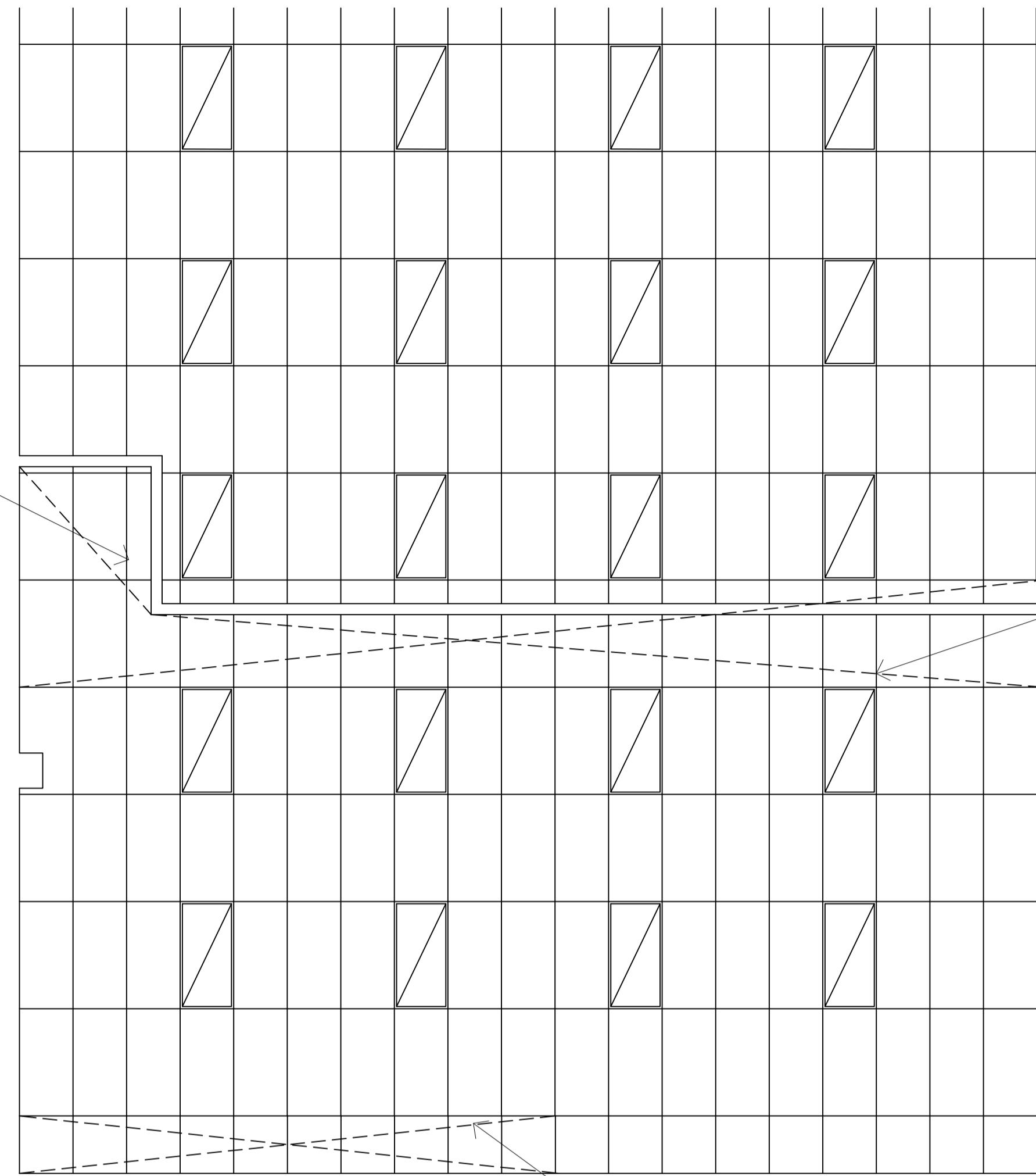
DOOR SCHEDULE									
No	DOOR SIZE	DOOR			FRAME			FIRE RATING	REMARKS
		TYPE	MATERIAL	FINISH	TYPE	MATERIAL	FINISH		
131	965 x 2150 x 45	B	HOLLOW METAL	PAINT	X200	HOLLOW METAL	PAINT	45 MIN	



5 JUNE 2026		ISSUED FOR TENDER	
No	DATE	DESCRIPTION	
DURHAM CATHOLIC DISTRICT SCHOOL BOARD <i>Learning and Living in Faith</i>			
 PROJECT NORTH		 ONTARIO ASSOCIATION OF ARCHITECTS PAUL A. WEPPLER LICENCE 3541	
SACCOCCIO WEPPLER ARCHITECTS INC 6534 KINGSTON ROAD TORONTO ON M1C 1J4 (416) 282-1197 FAX (416) 282-7697			
<small>CONTRACTOR MUST VERIFY ALL DIMENSIONS AND BE RESPONSIBLE FOR SAME. REPORTING ANY DISCREPANCIES TO THE ARCHITECT BEFORE COMMENCING THE WORK. THIS DRAWING IS THE PROPERTY OF THE ARCHITECT AND MUST BE RETURNED TO THEM ON COMPLETION OF THE WORK. PRINTS ARE NOT TO BE SCALED.</small>			
ALL SAINTS CATHOLIC HIGH SCHOOL 3001 COUNTRY LANE WHITEBY T26-11 ROOM RENOVATIONS			
PLAN - STUDIO 131 NEW WORK			
DATE	DRAWN	SCALE	JOB No.
APR 2026	PAW	1 : 50	26103
			DRAWING No.
			A 207



MAKE GOOD EXISTING CEILING REMOVED FOR CONSTRUCTION OF NEW PARTITIONS AND WALLS REINSTALL EXISTING TILES IN GOOD CONDITION PROVIDE NEW TILE TO MATCH EXISTING IN PLACE OF BROKEN AND DAMAGED TILES



MAKE GOOD EXISTING CEILING REMOVED FOR CONSTRUCTION OF NEW PARTITIONS AND WALLS REINSTALL EXISTING TILES IN GOOD CONDITION PROVIDE NEW TILE TO MATCH EXISTING IN PLACE OF BROKEN AND DAMAGED TILES

PROVIDE NEW CEILING GRID AND TILE IN THIS AREA TO MATCH EXISTING

MAKE GOOD EXISTING CEILING REMOVED FOR CONSTRUCTION OF NEW PARTITIONS AND WALLS REINSTALL EXISTING TILES IN GOOD CONDITION PROVIDE NEW TILE TO MATCH EXISTING IN PLACE OF BROKEN AND DAMAGED TILES

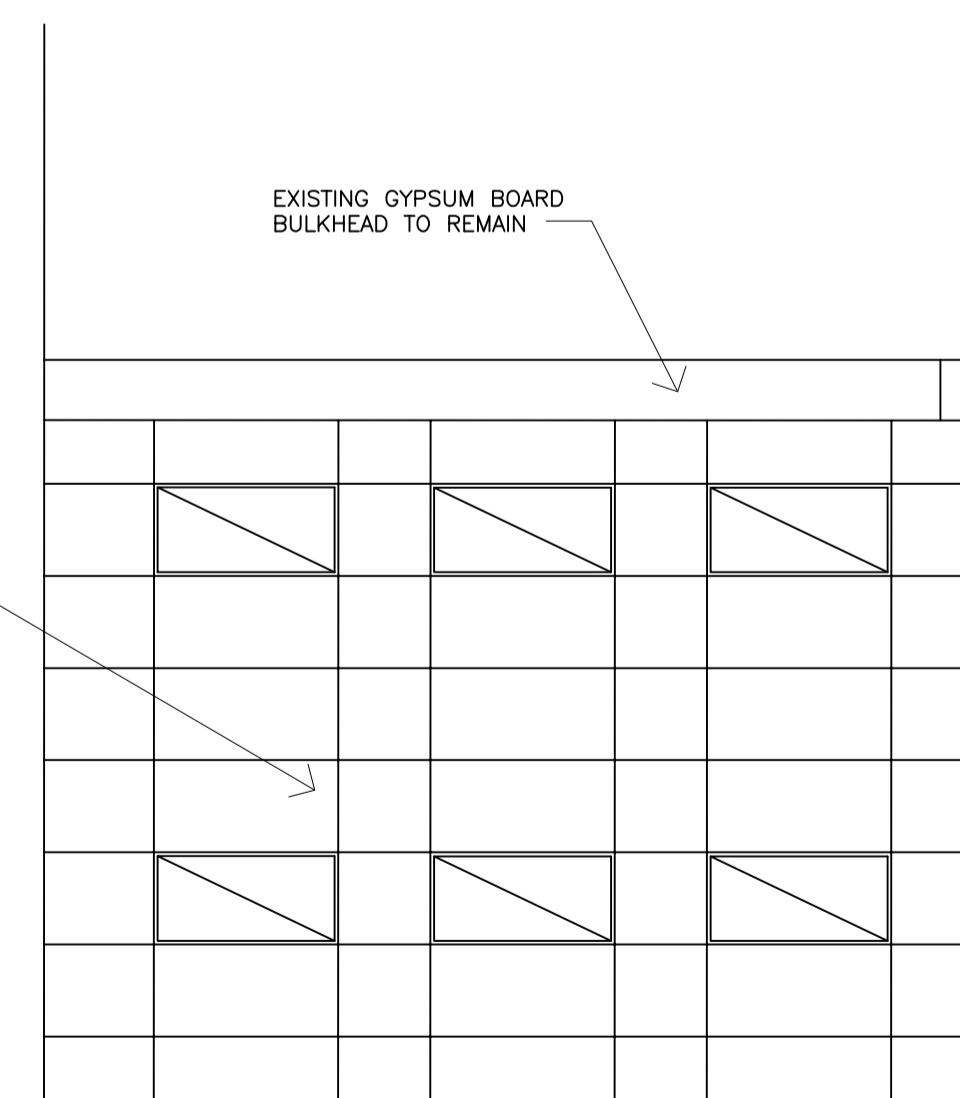
PROVIDE NEW CEILING GRID AND TILE IN THIS AREA TO MATCH EXISTING

EXISTING LIGHT FIXTURES INSTALLED IN NEW CEILING

PARTIAL REFLECTED CEILING PLAN
COMMUNICATIONS LAB 129

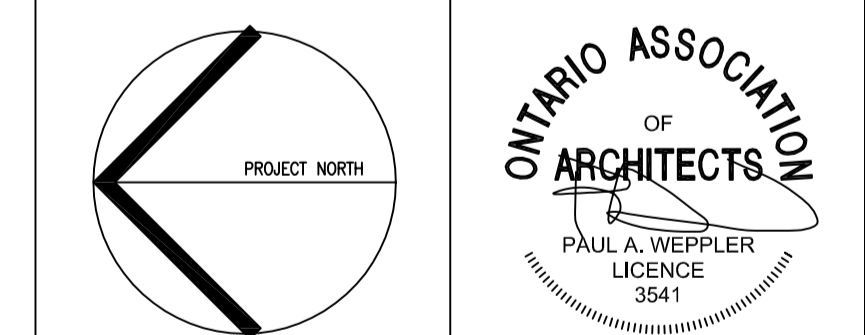
PROVIDE NEW CEILING GRID AND TILE IN THIS AREA TO MATCH EXISTING

EXISTING GYPSUM BOARD BULKHEAD TO REMAIN



PARTIAL REFLECTED CEILING PLAN
DRAMA ROOM 131

No	DATE	DESCRIPTION
5	JUNE 2026	ISSUED FOR TENDER



CONTRACTOR MUST VERIFY ALL DIMENSIONS AND BE RESPONSIBLE FOR SAME, REPORTING ANY DISCREPANCIES TO THE ARCHITECT BEFORE COMMENCING THE WORK. THIS DRAWING IS THE PROPERTY OF THE ARCHITECT AND MUST BE RETURNED TO THEM ON COMPLETION OF THE WORK. PRINTS ARE NOT TO BE SCALED.

ALL SAINTS CATHOLIC HIGH SCHOOL
3001 COUNTRY LANE
WHITEBY

T26-11 ROOM RENOVATIONS

REFLECTED CEILING PLANS
NEW WORK

DATE	DRAWN	SCALE	JOB No.	DRAWING No.
APR 2026	PAW	1 : 50	26103	A 208