

PHOTO #1

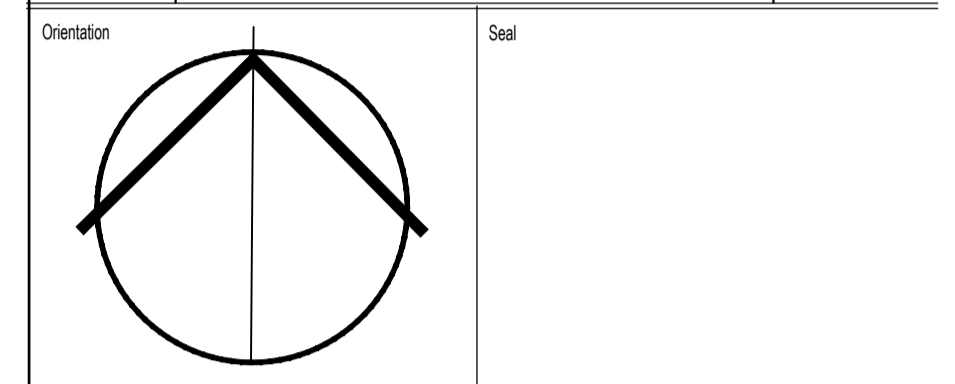


PHOTO #2



PHOTO #3

| No | Revisions | Date |
|----|-------------------|---------------|
| 3 | ISSUED FOR TENDER | SEPT 12, 2017 |
| 2 | 99% SUBMISSION | SEPT 1, 2017 |
| 1 | 66% SUBMISSION | AUG 25, 2017 |



The Contractor shall check and verify all dimensions and report all errors and omissions to the IO-Owner's/MBS Designee (as applicable) for his/her written direction before proceeding with the Work.

| | |
|---|-------------------------|
| A | Detail No |
| B | Sheet No where detailed |

CHRISTOPHER Z. TWORKOWSKI
 ARCHITECT
 34 BRIDGE STREET, UNIT 3
 LAKEFIELD, ONT. K0L 2H0 705-652-1646

Architect Project No. 1719



AMIS N B

Project
 LINDSAY MNR ROOF ASSEMBLY
 REPLACEMENT

Location
 322 KENT St W, LINDSAY, ONTARIO

ID Project No. 1047430-271140 Site No. Building No.

Client
 INFRASTRUCTURE ONTARIO

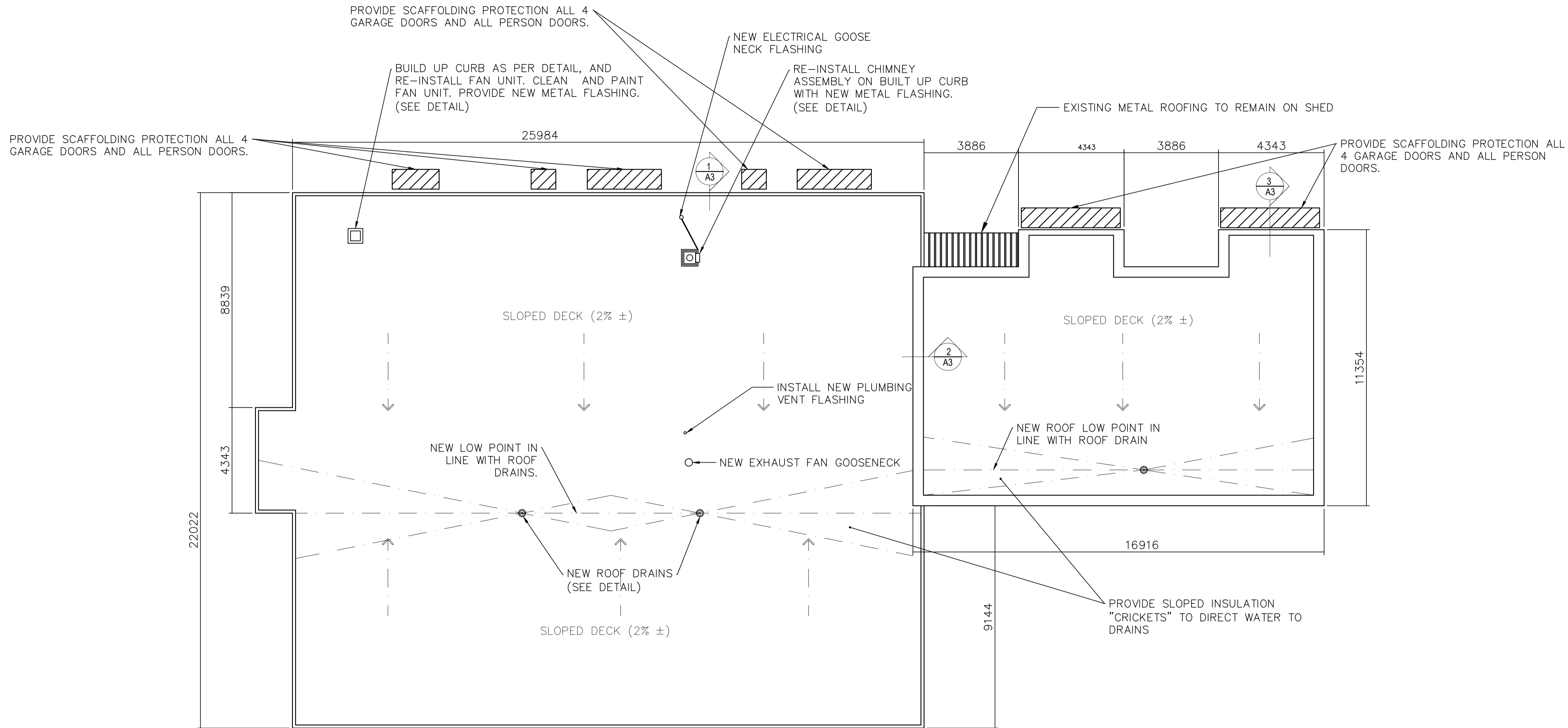
Drawing Title
 EXISTING ROOF PLAN / DEMOLITION

Scale 1:100 Date AUGUST 2017

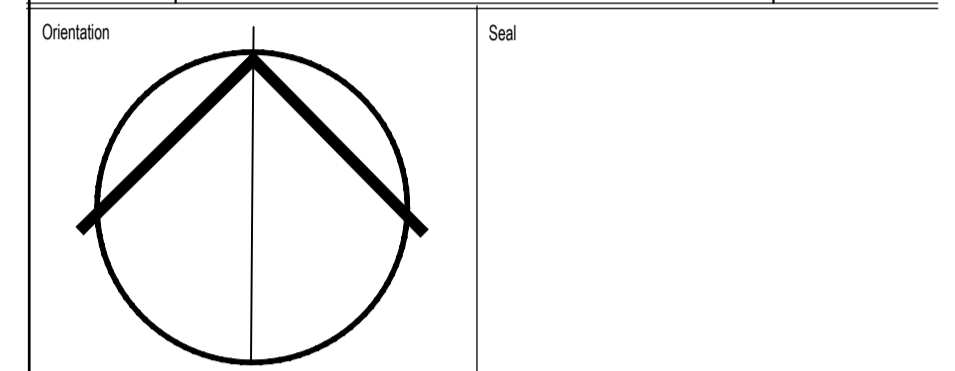
Drawn by DTMS Substantial Performance Date

Designed by ss/czt Drawing No.

Approved by **A1**



| No | Revisions | Date |
|----|-------------------|---------------|
| 3 | ISSUED FOR TENDER | SEPT 12, 2017 |
| 2 | 99% SUBMISSION | SEPT 1, 2017 |
| 1 | 66% SUBMISSION | AUG 25, 2017 |



The Contractor shall check and verify all dimensions and report all errors and omissions to the IO-Owner's/IMBS Designee (as applicable) for his/her written direction before proceeding with the Work.

| | |
|---|---------------------------|
| A | A Detail No |
| B | B Sheet No where detailed |

CHRISTOPHER Z. TWORKOWSKI
 ARCHITECT
 34 BRIDGE STREET, UNIT 3
 LAKEFIELD, ONT. K0L 2H0 705-652-1646

Architect Project No. 1719



AMIS N B

Project:
 LINDSAY MNR ROOF ASSEMBLY REPLACEMENT

Location:
 322 KENT St W, LINSAY, ONTARIO

ID Project No: 1047430-271140 Site No: Building No:

Client:
 INFRASTRUCTURE ONTARIO

Drawing Title:
 NEW ROOF PLAN

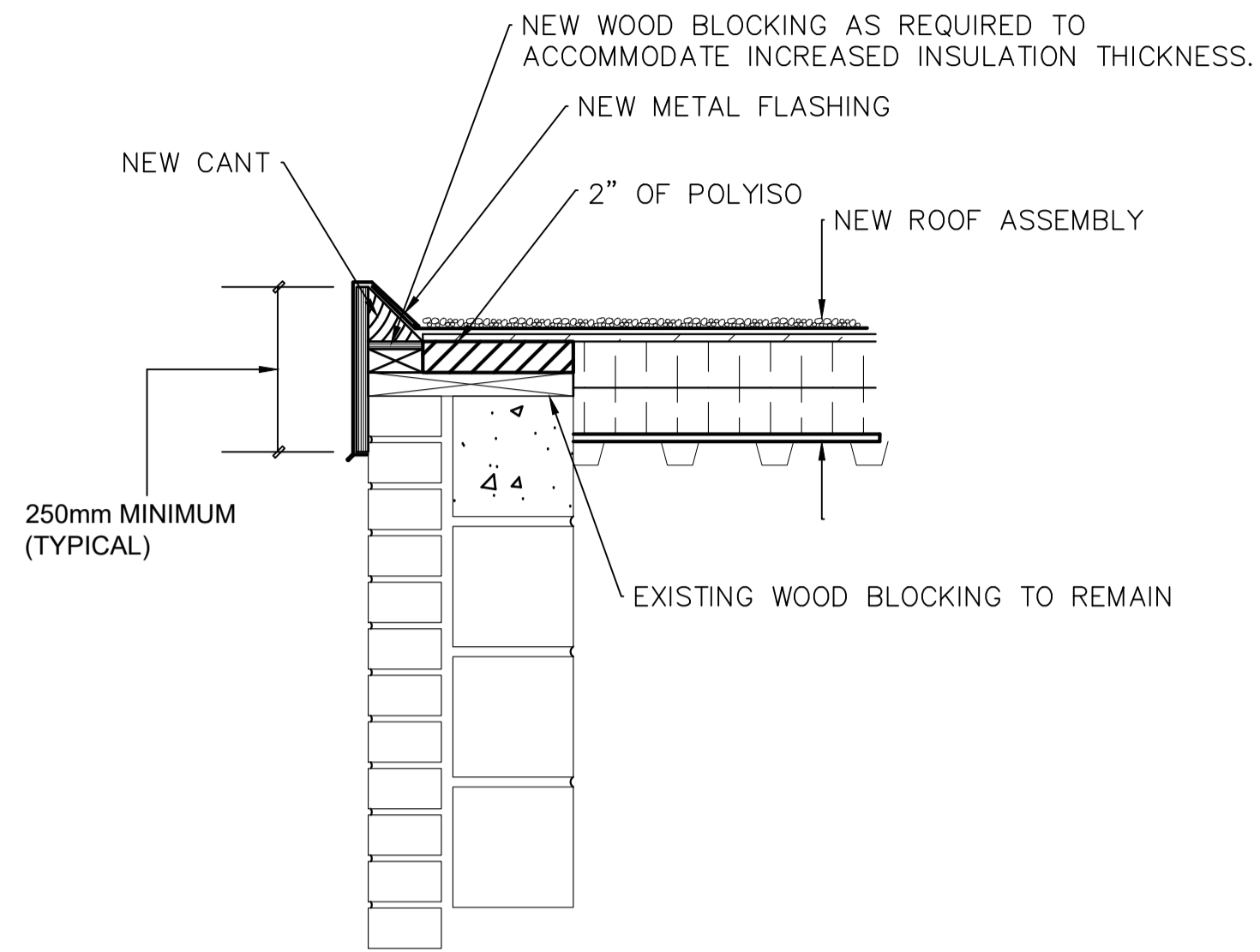
Scale: 1:100 Date: AUGUST 2017

Drawn by: DTMS Substantial Performance Date:

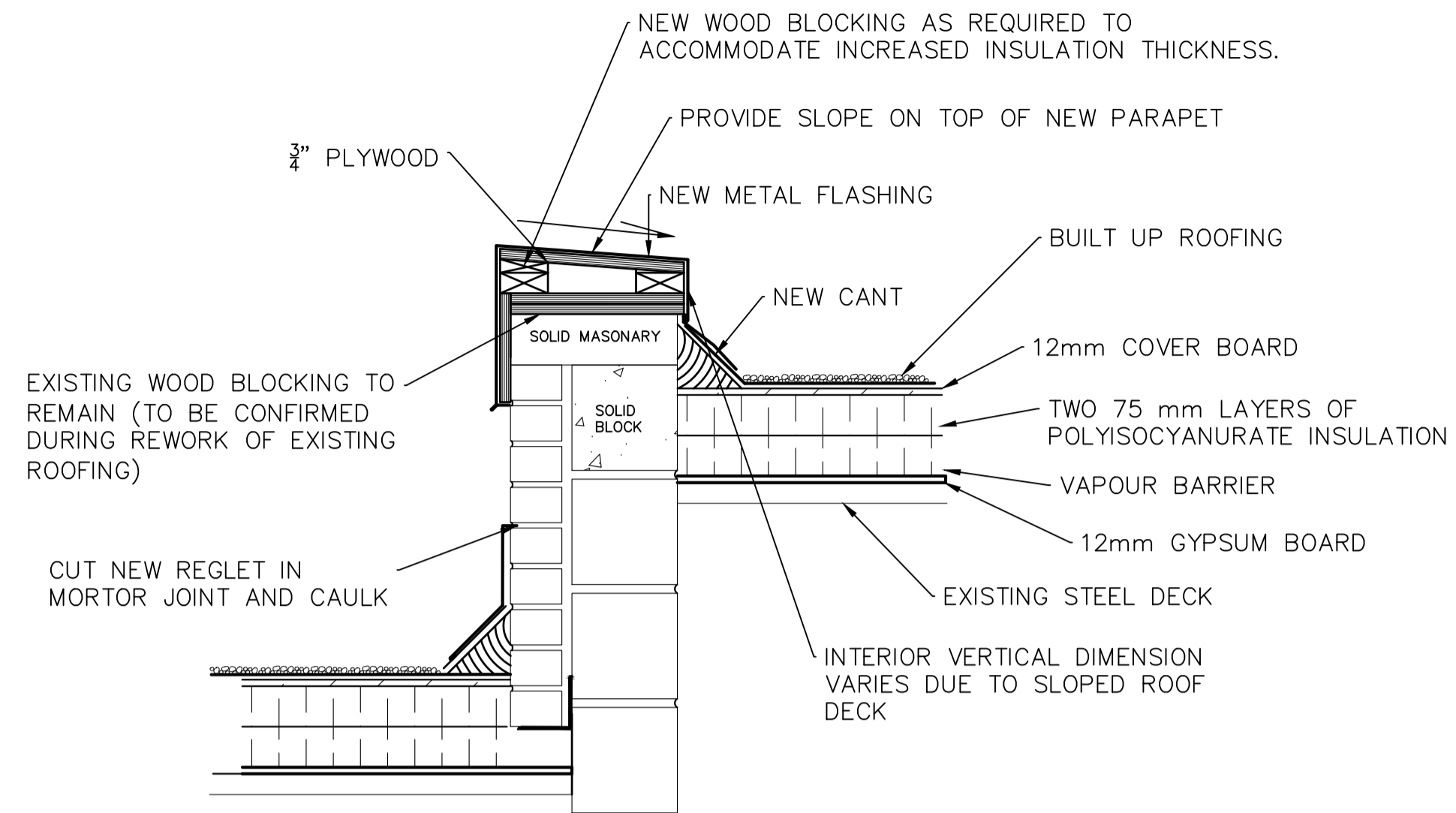
Designed by: ss/czt Drawing No:

Approved by: **A2** of 2

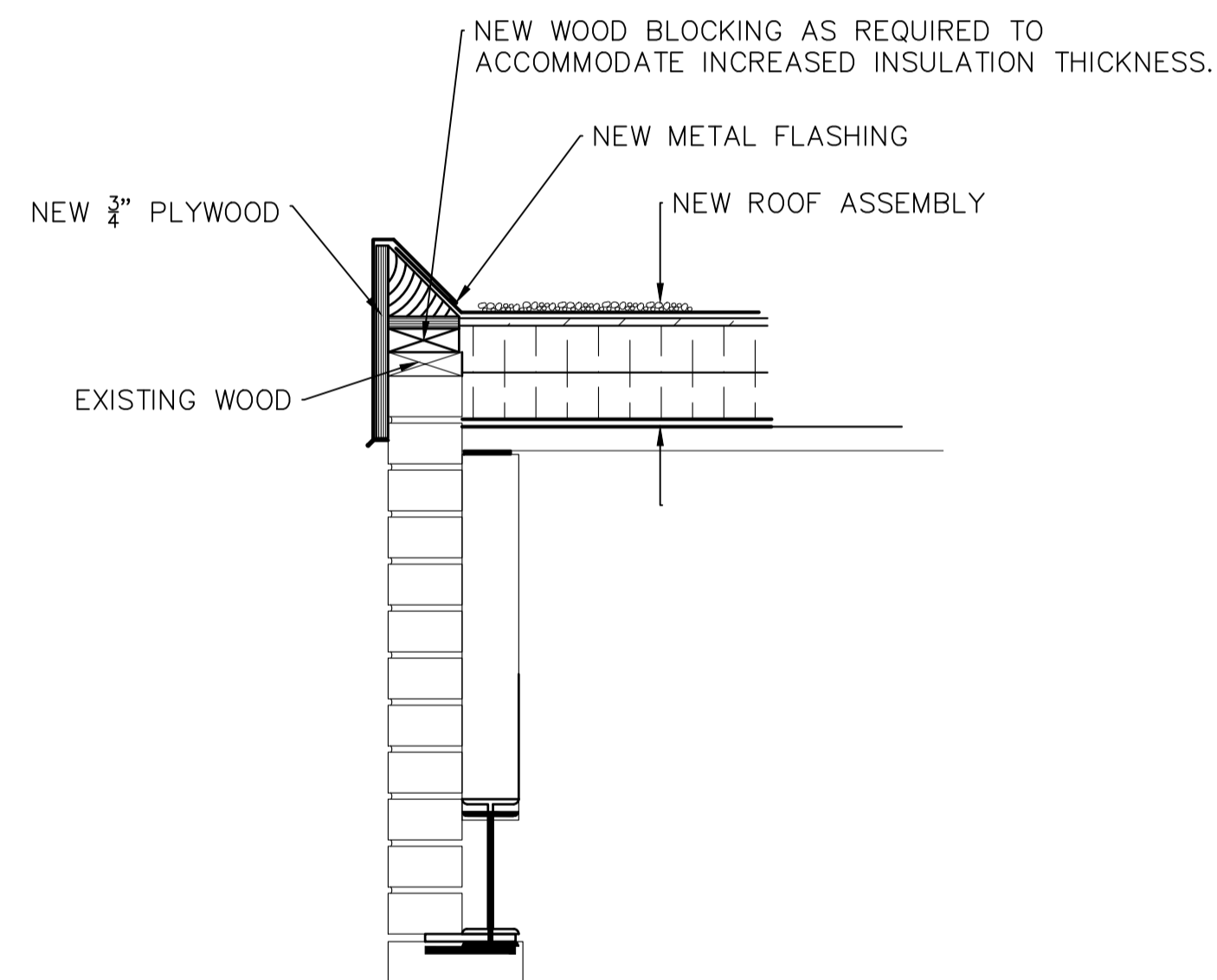
CADD File NAME



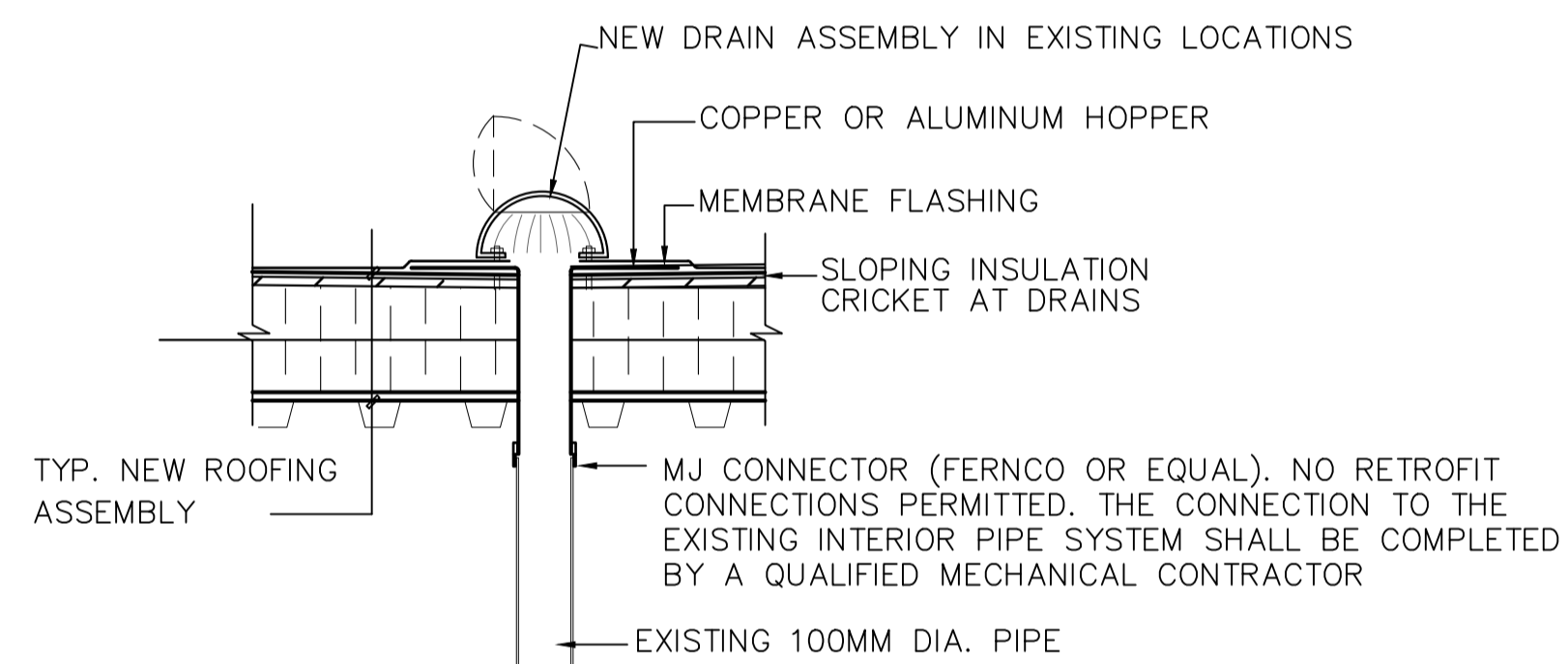
1. DETAIL AT NARROW PARAPET
SCALE: 1:10



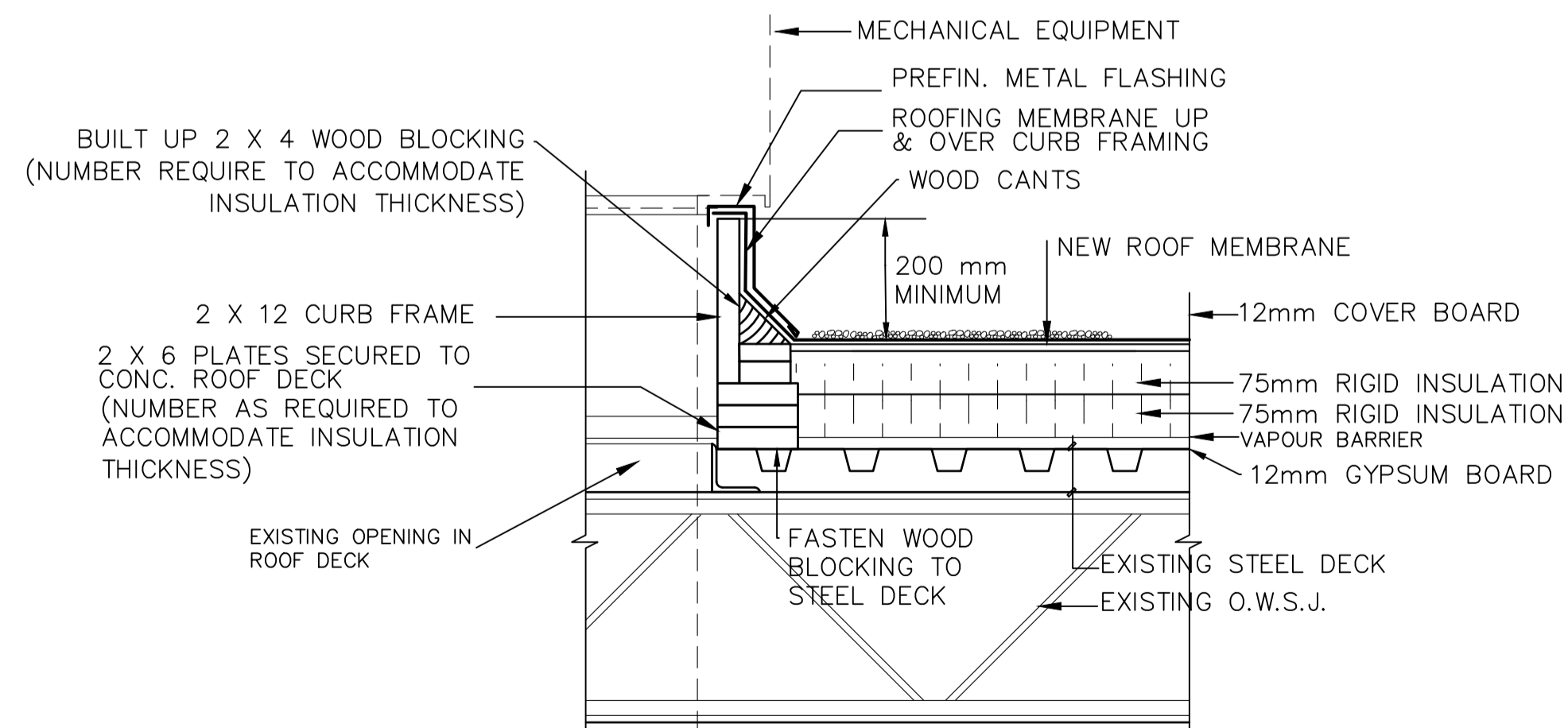
2. DETAIL AT WIDE PARAPET
SCALE: 1:10



3. DETAIL AT PARAPET OVER DOORS
SCALE: 1:10



4. DETAIL AT NEW ROOF DRAINS
SCALE: 1:10

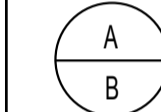


5. WOOD CURB DETAIL
SCALE: 1:10

| No. | Revisions | Date |
|-----|-------------------|---------------|
| 3 | ISSUED FOR TENDER | SEPT 12, 2017 |
| 2 | 99% SUBMISSION | SEPT 1, 2017 |
| 1 | 66% SUBMISSION | AUG 25, 2017 |

| Orientation | Seal |
|-------------|------|
| | |

The Contractor shall check and verify all dimensions and report all errors and omissions to the IO-Owner's/MBS Designee (as applicable) for his/her written direction before proceeding with the Work.



A Detail No
B Sheet No where detailed

CHRISTOPHER Z. TWORKOWSKI
ARCHITECT
34 BRIDGE STREET, UNIT 3
LAKEFIELD, ONT. K0L 2H0 705-652-1646

Architect Project No. 1719



AMIS N B

Project
LINDSAY MNR ROOF ASSEMBLY REPLACEMENT

Location
322 KENT ST W, LINSAY, ONTARIO

ID Project No. **1047430-271140** Site No. Building No.

Client
INFRASTRUCTURE ONTARIO

Drawing Title

DETAILS

Scale: AS NOTED Date: AUGUST 2017

Drawn by: DTMS Substantial Performance Date

Designed by: SS/czj Drawing No. **A3**

Approved by: CADD File NAME