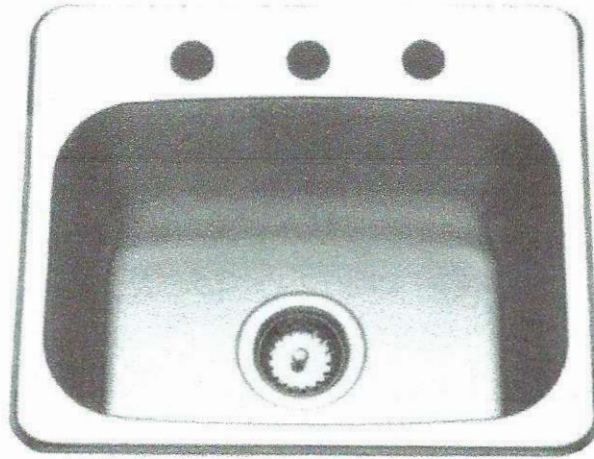
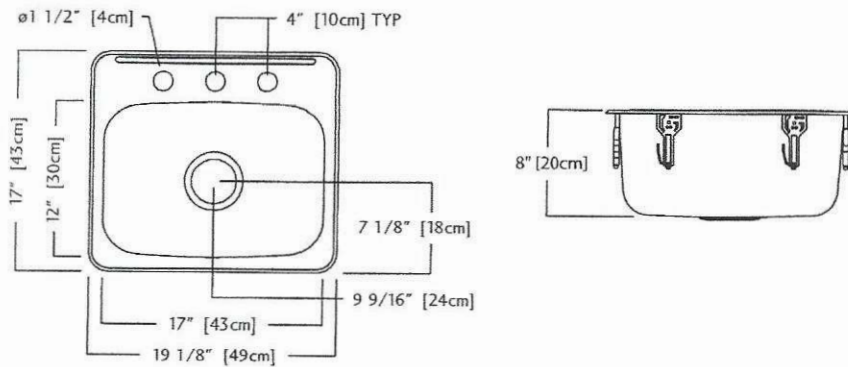
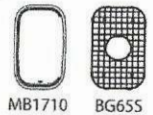


KINDRED

QSL1719/8



Optional Accessories



QSL1719/8 SPECIFICATION

Model QSL1719/8 is a single bowl, ledgeback sink manufactured by Franke Kindred Canada Limited from 20 gauge, 18-8 stainless steel. Product has a bright mirror finished rim and satin finished bowl. Sink is fully undercoated and has the EZTorque installation system. Basket strainer waste fitting (3 1/2", 89 mm) and installation kit are included. Sink is backed with a limited buyer lifetime warranty.

- O.D. 17" x 19 1/8" x 8" (43 x 49 x 20 cm)
- **Recommended for minimum 21" cabinet**

- QSL1719/8/3 3 hole - 1 1/2" diameter, 4" center-to-center FUN#101.0045.215
- QSL1719/8/1 1 hole on center FUN#101.0045.213
- QSL1719/8/2 2 hole - 1 1/2" diameter, 4" center-to-center FUN#101.0045.214

Plumbing Fixture / Kitchen Sinks 15410

Franke Kindred Canada Limited Printed in Canada 61558 0218

DESCRIPTION

- Brass construction with chrome plated finish
- 1/2" IPS connections
- 8" centers
- Vandal resistant torx head screws

OPERATION

- Wrist blade style handles with hot and cold color indicators

FLOW


- Water usage is limited to these maximum flow rates as indicated by the corresponding product markings
 - 1.5 gpm max (5.7L/min) at 60 psi

CARTRIDGE

- Brass shell, ceramic disc cartridge
- 1/4 turn operation

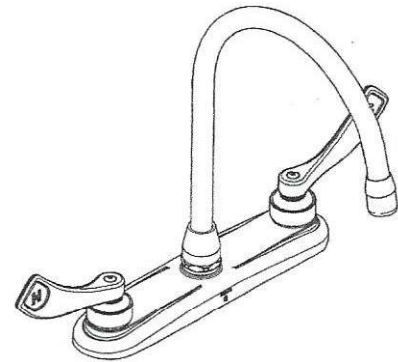
STANDARDS

- Third party certified to ASME A112.18.1/CSA B125.1 and all applicable specifications referenced therein
- Certified to NSF 61/9 & 372
- Complies with California Proposition 65 and with the Federal Safe Drinking Water Act

- ADA  for lever handles

WARRANTY

- Warranted for 5 years against material or manufacturing defects

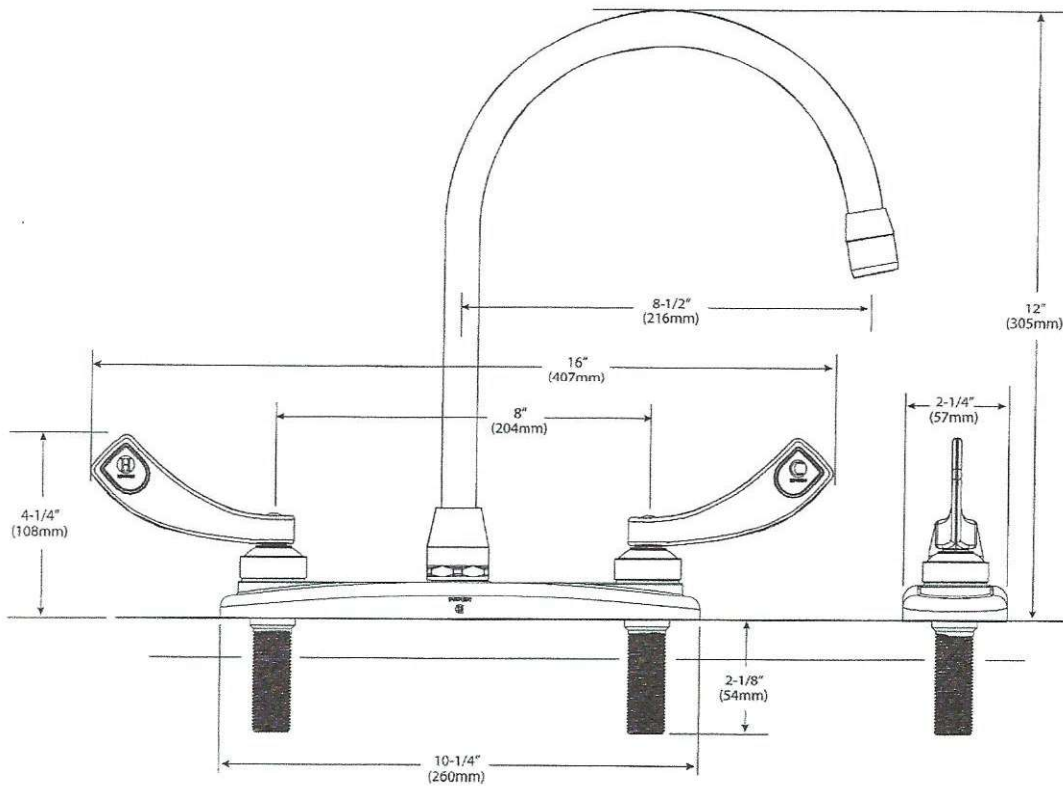


Two-Handle Kitchen Faucet

Model: 8289



NOTE: Designed to be installed through 2 or 3 holes - 1" min. dia. and on 8" on center



CRITICAL DIMENSIONS

(DO NOT SCALE)