

Addendum No.1

Please see attached and comments below that make up Addendum 01. The project deadline will be **extended to this Friday June 18th, 2021** to accommodate any potential changes.

- Delete one cabinet on west elevation beside stove as indicated in drawing A-104
- Delete Kindred faucet and replace with Moen pull down faucet #5923 to be installed on center of sink 2 and 3 and supply and install new faucet Moen single handle faucet #87039 to be installed on center of sink 1. New additional water supply lines to be installed at sink 1. See attached diagram.
- Region to supply and contractor to install new stainless steel plate on countertop behind existing sink. Detail to follow when contract awarded.

FAUCET DESCRIPTION

- Pulldown system offers smooth operation, easy movement and secure docking
- Metal construction with various finishes identified by suffix
- Quick connect installation - Duralock™
- PowerBoost™ spray technology
- Pulldown spray with 68" braided hose
- Flexible supply lines with 3/8" compression fittings
- High arc spout provides height and reach to fill or clean large pots while pulldown wand provides the maneuverability for cleaning or rinsing
- Faucet designed for handle to be mounted on right side

OPERATION

- Lever style handle
- Temperature controlled by 100° arc of handle travel
- Operates with less than 5 lbs. of force
- Operates in stream or spray mode in the pullout or retracted position

FLOW

- Flow is limited to 1.5 gpm (5.7 L/min) max at 60 psi

CARTRIDGE

- 1255™ Duralast™ cartridge for single handle faucets

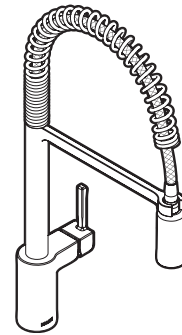
STANDARDS

- Third party certified to IAPMO Green, ASME A112.18.1/CSA B125.1 and all applicable requirements therein including NSF 61/9 & 372
- Meets CalGreen and Georgia SB370 requirements
- Complies with California Proposition 65 and with the Federal Safe Drinking Water Act
- The backflow protection system in the device consists of two independently operating check valves, a primary and a secondary which prevent backflow
- ADA ♿ for lever handle

WARRANTY

- Lifetime limited warranty against leaks, drips and finish defects to the original homeowner
- 10 year limited warranty when used in a multifamily installation
- 5 year limited warranty when used in a commercial installation

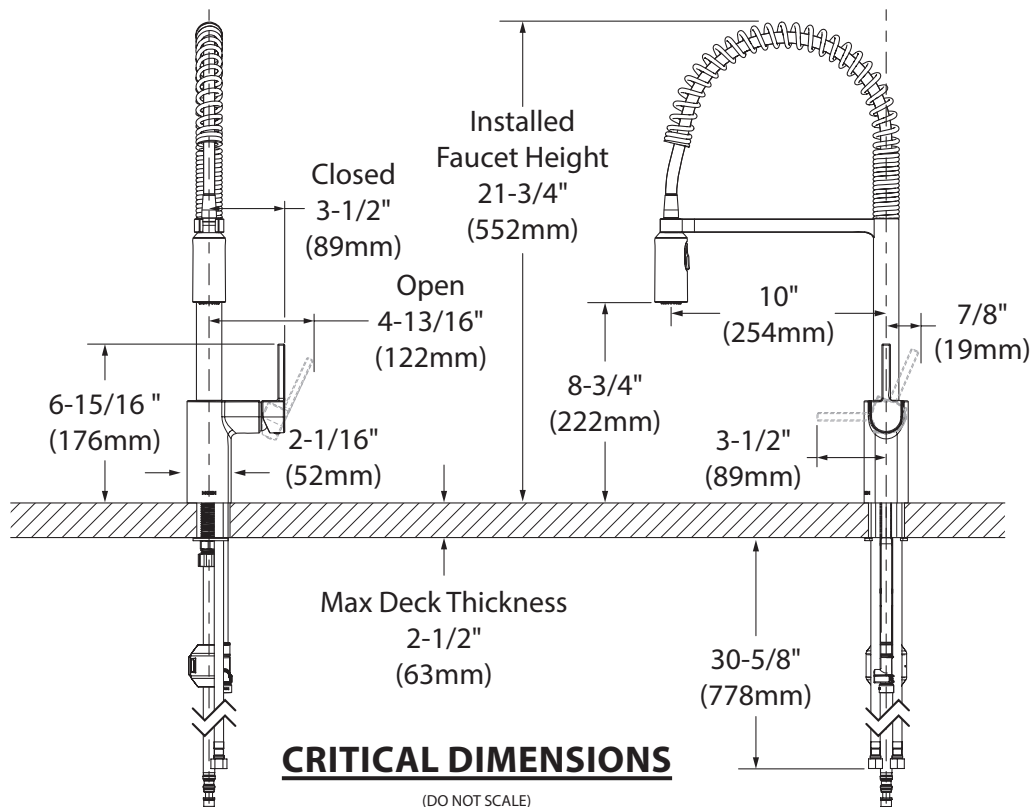
Visit www.moen.com/support for complete details and limitations



Align™ Single Handle Pre-Rinse Spring Pulldown Kitchen Faucet

Models: 5923 series

NOTE: this faucet is designed to be installed through 1 hole, 1-1/2" (38mm) min. dia. (optional 3-hole escutcheon 141002 available)



FAUCET DESCRIPTION

- Metal construction with various finishes identified by suffix
- Spot Resist™ finish available
- Power clean spray
- Duralock™ quick connect installation
- Pullout spray with 68" braided hose
- Flexible supplies with 3/8" compression fittings

OPERATION

- Lever style handle
- Temperature controlled by 120° arc of handle travel
- Spout rotation is 120°
- Operates with less than 5lbs. of force
- Operates in stream, pause or spray mode in the pullout or retracted position

FLOW

- Aerator is limited to 1.5 gpm (5.7 L/min) max.

CARTRIDGE

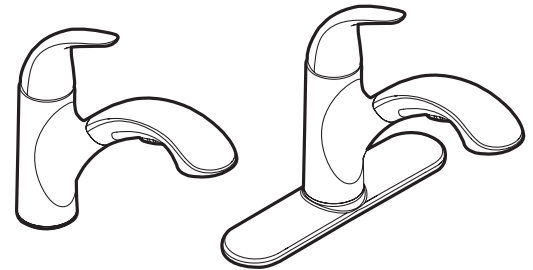
- 1255™ Duralast™ cartridge for single-handle faucets
- Engineered polymers, nonferrous and stainless steel materials

STANDARDS

- Complies with California Proposition 65 and with the Federal Safe Drinking Water Act
- Third party certified to IAPMO Green ASME A112.18.1/CSA B-125.1 and all applicable requirements referenced therein including NSF 61/9 & 372
- Meets CalGreen and Georgia SB370 requirements
- ADA ♿ for lever handle
- The backflow protection system in this device consists of two independently operating check valves, a primary and a secondary which prevent backflow

WARRANTY

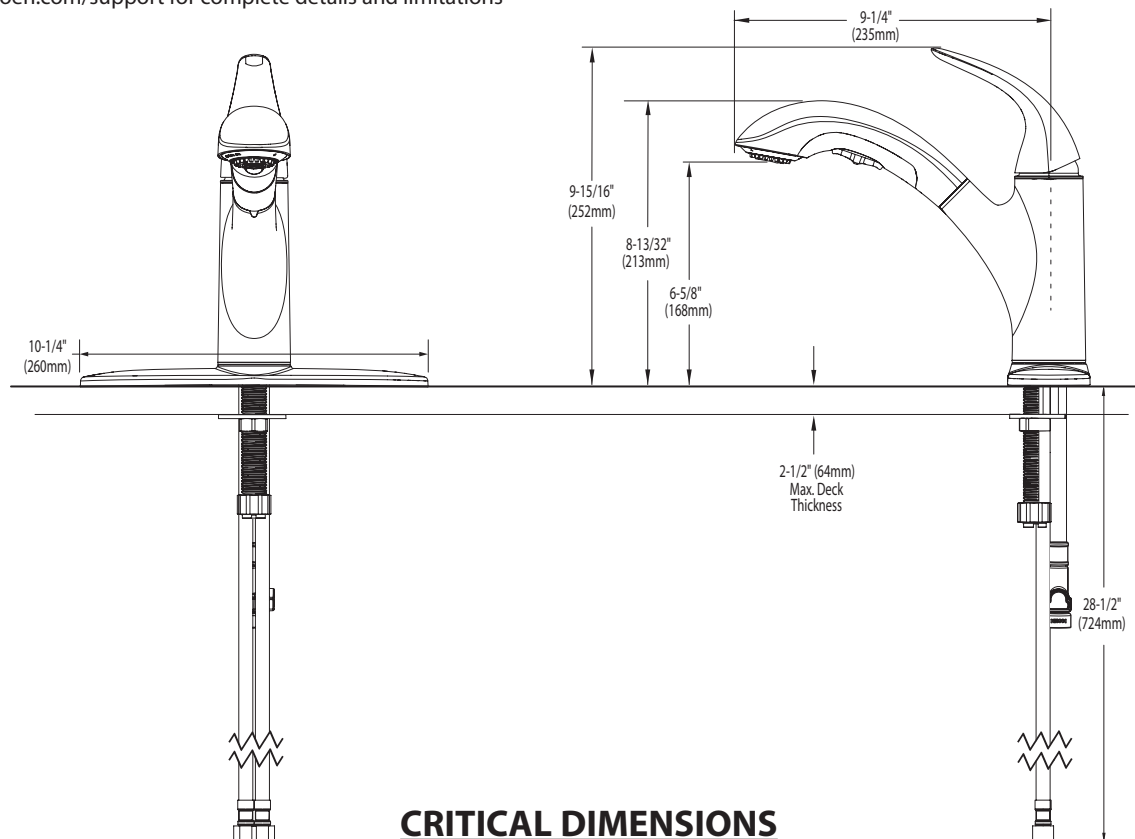
- Lifetime limited warranty against leaks, drips and finish defects to the original homeowner
 - 10 year limited warranty when used in a multifamily installation
 - 5 year limited warranty when used in a commercial installation
- Visit www.moen.com/support for complete details and limitations



Medina™
Single Control Kitchen Faucet

Models: 87039 series

NOTE: DESIGNED TO INSTALL THROUGH
1 OR 3 HOLES 1-1/2" (38mm) DIA.



CRITICAL DIMENSIONS
(DO NOT SCALE)

FOR MORE INFORMATION CALL: 1-800-BUY-MOEN

www.moen.com